



I-8KE4-MTCP/I-8KE8-MTCP

4/8-slot Modbus I/O Expansion Unit with 80186-80 CPU,
1 Serial Port and 1 Ethernet Port (Modbus TCP Protocol)

Features

- Modbus TCP and RTU protocols
- Allowed a Maximum of 8 Host PCs Access Simultaneously
- 4/8 Slots for I-8K and I-87K series I/O modules
- Supports Auto Configuration for I/O modules
- Push Buttons to Configure IP Address
- Firmware Updateable via the Ethernet or RS-232
- Firmware Programmable (C language Modbus Lib Provided)
- Operating Temperature: -25 ~ +75 °C



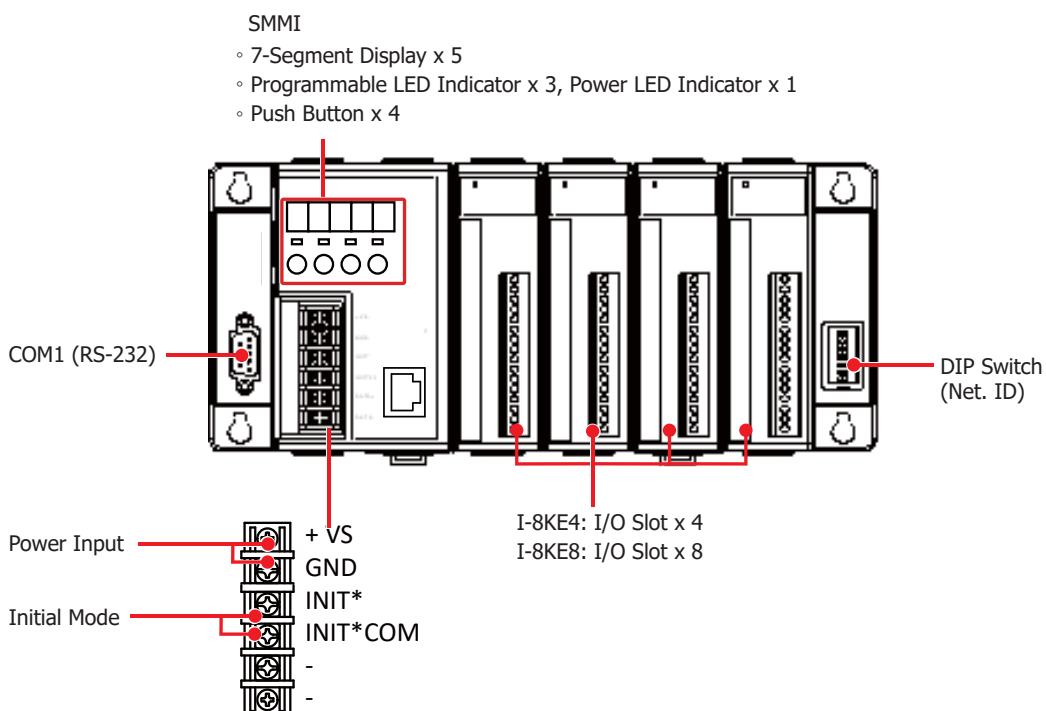
Introduction

I-8KE4-MTCP/I-8KE8-MTCP is a remote I/O expansion unit to expand I-8K and I-87K I/O modules over the Ethernet for industrial monitoring and controlling applications. And it also has one or several built-in RS-232/485 ports to support Modbus RTU to link a HMI.

The units are designed to be used in harsh and noisy environment, so the hardware is manufactured with wide power input range (10 ~ 30 VDC), isolated power input and can operate under wide temperature (-25 ~ +75 °C). To simplify installation and maintenance of I/O modules, they provide many useful features, such as: auto configuration, LED indicators for fault detection, dual watchdog to keep alive, programmable power-on and safe values for safety.

There are more than 30 I/O modules support with the units, including analog input/output, digital input/output, counter input, frequency input modules. Most SCADA software supports Modbus protocol, thus users can easily and quickly integrate the units to the SCADA software. Further more, we also provide nModbus.dll on Windows XP/Vista/7 and CE5/6 to VS.NET programmers.

Apparances

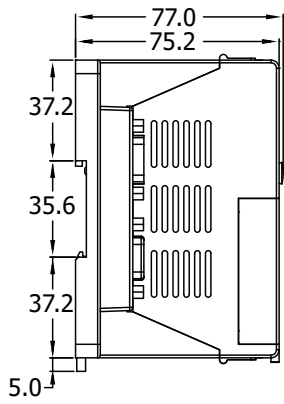


Specifications

Models	I-8KE4-MTCP	I-8KE8-MTCP
CPU Module		
CPU	80188 or compatible, 8-bit and 40 MHz	
SRAM	512 KB	
Flash	512 KB	
EEPROM	2 KB	
NVRAM	-	
RTC (Real Time Clock)	-	
64-bit Hardware Serial Number	-	
Watchdog Timer	Yes	
Communicate Interface		
Protocol	Modbus RTU, Modbus TCP	
Ethernet	1 x RJ-45, 10Base NE2000 compatible	
COM 0	Internal communication with the 87K modules	
COM1	RS-232 (RxD, TxD, GND; to update firmware)	
SMMI		
7-Segment Display	5	
LED Indicator	1 x Power, 3 x Programmable	
Push Button	4	
I/O Expansion		
I/O Type	I-8K, I-87K series	
Slots	4	8
Mechanical		
Dimension (W x L x H)	231 mm x 110 mm x 77 mm	355 mm x 110 mm x 77 mm
Installation	DIN-Rail, Wall mounting	
Environmental		
Operating Temperature	-25 ~ +75 °C	
Storage Temperature	-30 ~ +85 °C	
Humidity	10 ~ 90 % RH, Non-condensing	
Power		
Protection	Power reverse polarity protection	
Input Range	+10 ~ 30 VDC (3 kV Isolated)	
Power Supply	20 W	
Consumption	3.9 W	5.1 W

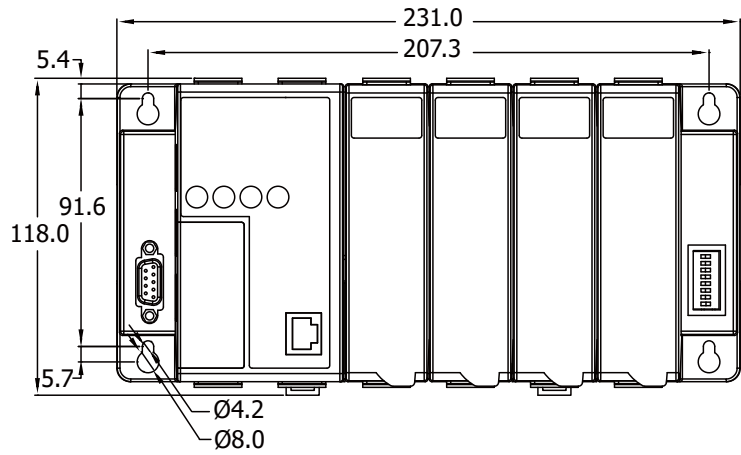
■ Dimensions (Units: mm)

I-8KE4-MTCP/I-8KE8-MTCP



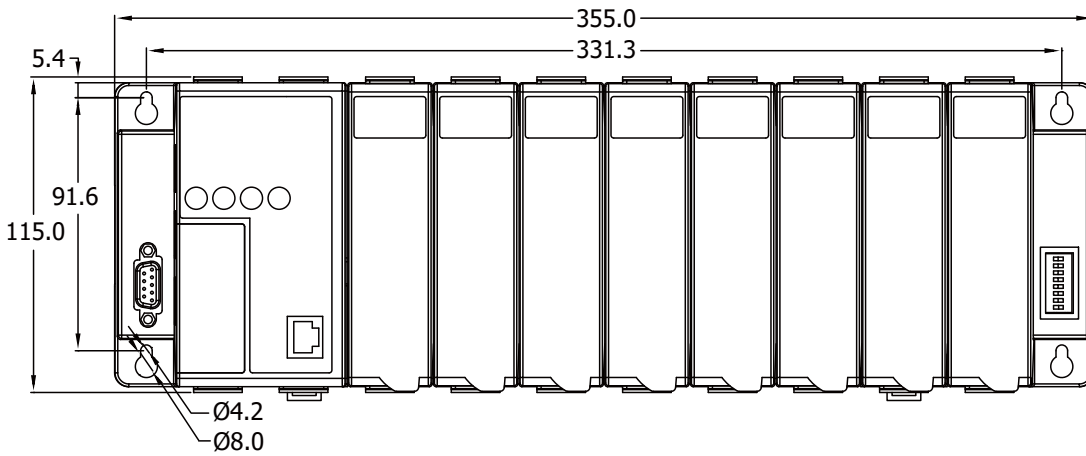
Left Side View

I-8KE4-MTCP



Front View

I-8KE8-MTCP



Front View

■ Ordering Information

I-8KE4-MTCP-G CR	4-slot Modbus I/O Unit with 80186-80 CPU, 1 Serial Port and 1 Ethernet Port (Modbus TCP Protocol) (RoHS)
I-8KE8-MTCP-G CR	8-slot Modbus I/O Unit with 80186-80 CPU, 1 Serial Port and 1 Ethernet Port (Modbus TCP Protocol) (RoHS)